

ITEM #: _____	QTY: _____
MODEL #: _____	
PROJECT NAME: _____	

031722

3601 S. Banker St. Effingham, IL 62401 • P.O. BOX 609 • Ph: (888) 431-2667 • Fax: (800) 433-2667

"SUS" DRY STORAGE SHELF

FEATURES:

- 18GA TYPE 400 STAINLESS STEEL SHELVES WITH #4 POLISH
- 1-1/2" STALLION EDGE ON ALL SIDES OF SHELF
- FOR GENERAL PURPOSE DRY STORAGE OR IN REFRIGERATORS AND FREEZERS
- SOLID SURFACE SHELF FOR EASY CLEAN-UP OF SPILLS
- ADJUSTABLE BULLET FEET
- OPTIONAL 5" LOCKING CASTERS
- SHIPPED KNOCKED DOWN, EASY TO ASSEMBLE

CONSTRUCTION:

- STAINLESS STEEL SHELVES ARE TIG WELDED, EXPOSED WELDS ARE POLISHED TO MATCH ADJACENT SURFACE
- KNOCK DOWN DESIGN WITH ADJUSTABLE SHELVES

MATERIAL:

- SHELF: 18 GAUGE TYPE 400 STAINLESS STEEL
- LEGS: 1-5/8" ROUND O.D. 16 GAUGE TUBULAR STAINLESS STEEL
- GUSSETS: STAINLESS STEEL
- FEET: 1" ADJUSTABLE STAINLESS STEEL BULLET FEET

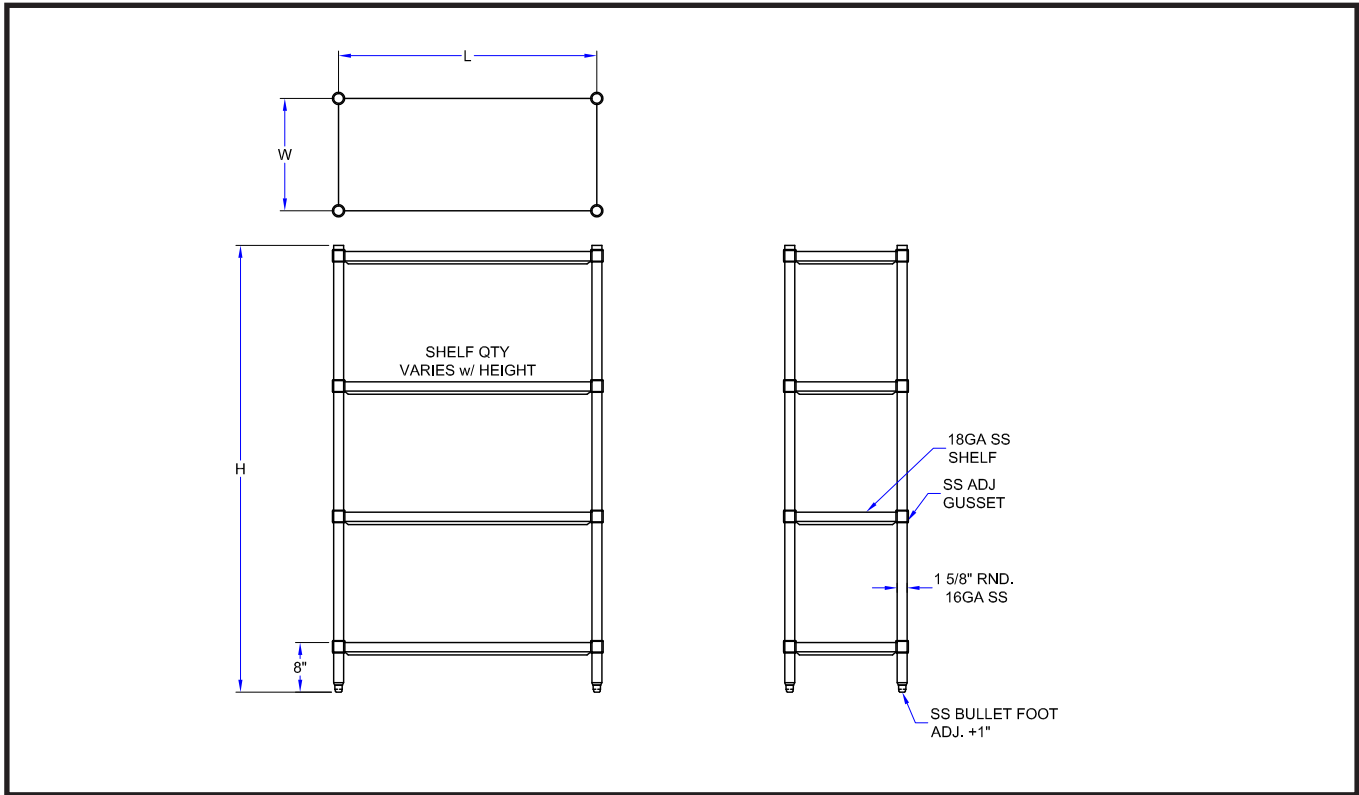


SUS-244272-4

DRY STORAGE SHELVES

2 SHELVES	QTY	3 SHELVES	QTY	4 SHELVES	QTY
SUS-183036-2		SUS-183060-3		SUS-183072-4	
SUS-184236-2		SUS-184260-3		SUS-184272-4	
SUS-185436-2		SUS-185460-3		SUS-185472-4	
SUS-243036-2		SUS-243060-3		SUS-243072-4	
SUS-244236-2		SUS-244260-3		SUS-244272-4	
SUS-245436-2		SUS-245460-3		SUS-245472-4	

DETAILED SPECIFICATIONS



DRY STORAGE SHELVES

MODEL	SHELF SIZE (L X W)	OVERALL SIZE (L X W X H)	# OF SHELVES	WT. (LBS)
SUS-183036-2	30"X18"	32"X20"X36"	2	32
SUS-184236-2	42"X18"	44"X20"X36"	2	37
SUS-185436-2	54"X18"	56"X20"X36"	2	45
SUS-243036-2	30"X24"	32"X26"X36"	2	36
SUS-244236-2	42"X24"	44"X26"X36"	2	48
SUS-245436-2	54"X24"	56"X26"X36"	2	57
SUS-183060-3	30"X18"	32"X20"X60"	3	47
SUS-184260-3	42"X18"	44"X20"X60"	3	55
SUS-185460-3	54"X18"	56"X20"X60"	3	67
SUS-243060-3	30"X24"	32"X26"X60"	3	54
SUS-244260-3	42"X24"	44"X26"X60"	3	72
SUS-245460-3	54"X24"	56"X26"X60"	3	85
SUS-183072-4	30"X18"	32"X20"X72"	4	61
SUS-184272-4	42"X18"	44"X20"X72"	4	72
SUS-185472-4	54"X18"	56"X20"X72"	4	88
SUS-243072-4	30"X24"	32"X26"X72"	4	70
SUS-244272-4	42"X24"	44"X26"X72"	4	95
SUS-245472-4	54"X24"	56"X26"X72"	4	112

SOME UNITS SHIP UNASSEMBLED FOR REDUCED SHIPPING COST. ALL DIMENSIONS ARE TYPICAL. TOLERANCE +/- .500"

John Boos & Co. is constantly engaged in a program of improving products and therefore reserves the right to change specifications without prior notice.

